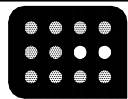
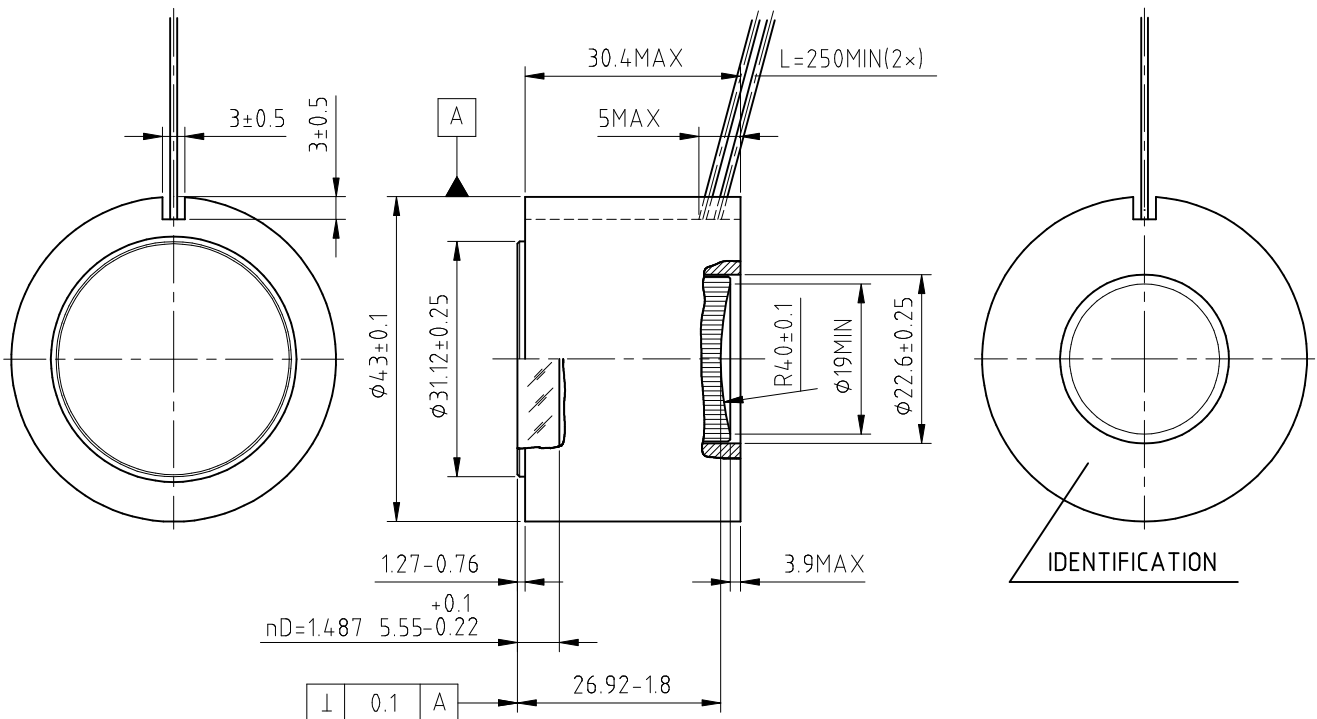


	new	cancelled		new	cancelled

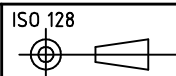
NOTE 1: REFERENCE CIRCLE **A** IS THE CYLINDER WITH THE SMALLEST DIAMETER THAT FITS AROUND THE PLASTIC HOUSING.

2: RED WIRE = +2,7V DC
 BLACK WIRE = -(GROUND)

VK



PHOTONIS-DEP
 ISO 9001 Certified



ISO 128
 A4
 glass
 ISO 10110

screw thread
 ISO 965

geometr. tolerances
 ISO 1101

finish
 ISO 1302

dimensions:
 mm

material:

scale:
 1 : 1

drawn: JK

A0 9-3-92

A1 15-1-93

A2 7-11-96

IMAGE INTENSIFIER XX1440, XX1441, XX1940, XX2040
 XX2540

sheet:
 1 of 1

183-0047A2

TV